

Features

- Fast Switching Speed
- Surface Mount Package Ideally Suited for Automatic Insertion
- For General Purpose Switching Applications
- High Conductance

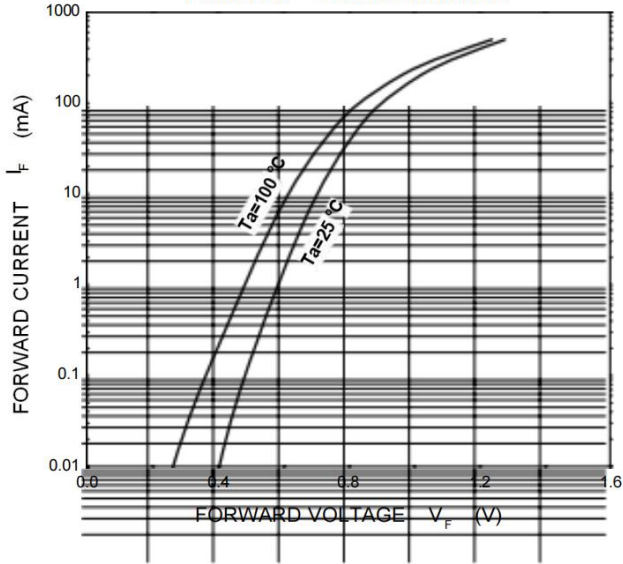
Maximum Ratings and Electrical Characteristics

Rating 25 C ambient temperature unless otherwise specified.
 Single phase half wave, 60Hz, resistive or inductive load.
 For capacitive load, derate current by 20%.

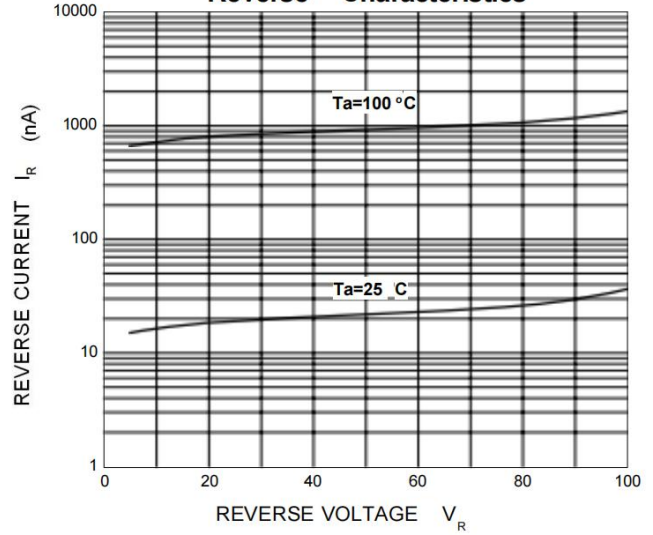
TYPE NUMBER	1N4148WS	UNITS
Maximum Recurrent Peak Reverse Voltage	100	V
Maximum RMS Voltage	70	V
Maximum DC Blocking Voltage	100	V
Maximum Average Forward Rectified Current See Fig. 1	0.15	A
Peak Forward Surge Current @ t=1.0 μs	2.0	A
@t =1.0s	1.0	A
Maximum Instantaneous Forward Voltage at 0.15A	1.25	V
Maximum DC Reverse Current at Rated DC Blocking Voltage Ta=25 C	1	μA
Typical Junction Capacitance	2	pF
Total Power Dissipation	400	mW
Maximum Reverse Recovery Time (TRR typical)	8 t	ns
Operating Temperature Range T _J	-55 to +150	C
Storage Temperature Range T _{STG}	-55 — _o +150	C

Electrical Characteristic Curve

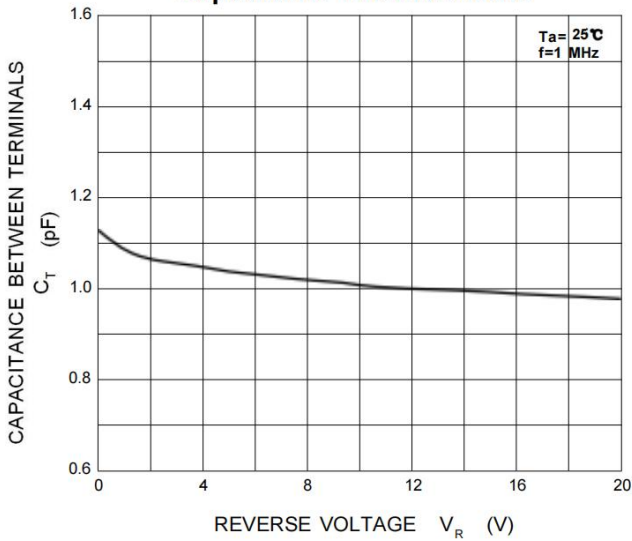
Forward Characteristics



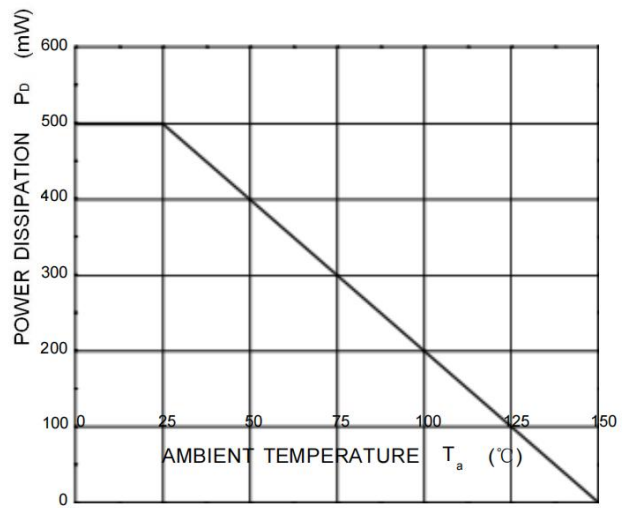
Reverse Characteristics



Capacitance Characteristics



Power Derating Curve

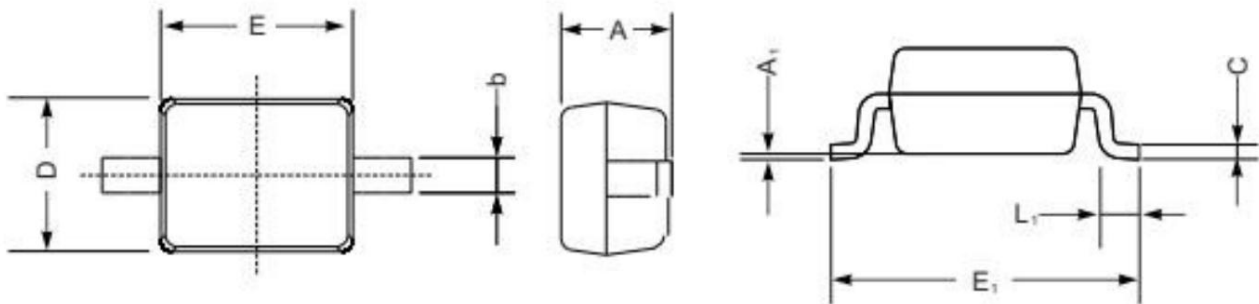


Mechanical Data

- Case: Molded plastic
- Lead: Axial leads, solderable per MIL-STD-750, method 2026
- Polarity: Polarity symbols marked on case
- Marking: T4, T6



SOD323



UNIT		A	C	D	E	E ₁	b	L ₁	A ₁
mm	max	1.1	0.15	1.4	1.8	2.75	0.4	0.45	0.2
	min	0.8	0.08	1.2	1.4	2.55	0.25	0.2	—
mil	max	43	5.9	55	70	108	16	16	8
	min	32	3.1	47	63	100	9.8	7.9	—