

Descriptions

The MBR0530UA is schottky barrier diode in a SOD-123 Plastic Package.

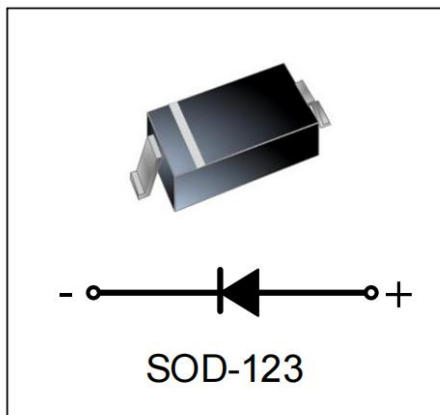
Features

- Low Forward Voltage Schottky Rectifier
- RoHS Compliant / Green EMC
- Matte Tin (Sn) Lead Finish
- Cathode Band / Device Marking

Applications

- Fast Switching RF and Digital Applications
- Switch Mode Power Supply
- Inverse Polarity Protection
- Low Power Consumption Applications

Equivalent Circuit&Pinning



Marking

See Marking Instructions.

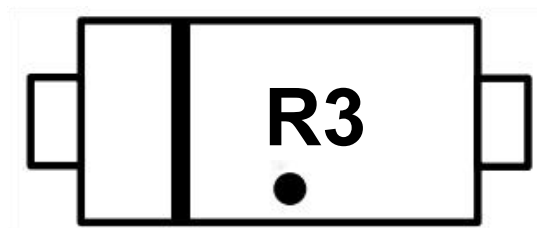
Absolute Maximum Ratings(Ta=25°C)

Parameter	Symbol	Value	Unit
Peak Repetitive Reverse Voltage	V _{RRM}	30	V
RMS reverse voltage	V _{RMS}	21	V
Average Rectified Output Current	I _o	0.5	A
Non-Repetitive Peak Forward Surge Current @ t=8.3ms	I _{FSM}	5.5	A
Power Dissipation	P _D	410	mW
Junction Temperature	T _j	125	°C
Storage Temperature	T _{stg}	-55~+150	°C

Electrical Characteristics(Ta=25°C)

Parameter	Symbol	Test Conditions	Min.	Typ.	Max.	Unit
Reverse Breakdown Voltage	V _{BR}	I _R = 100μA	30	-	-	V
Forward Voltage	V _F	V _R = 30V	-	-	200	V
Reverse Current	I _R	I _F = 0.5A	-	-	0.55	μA
Capacitance	C _T	V _R = 4V, f = 1MHz	-	30	-	pF

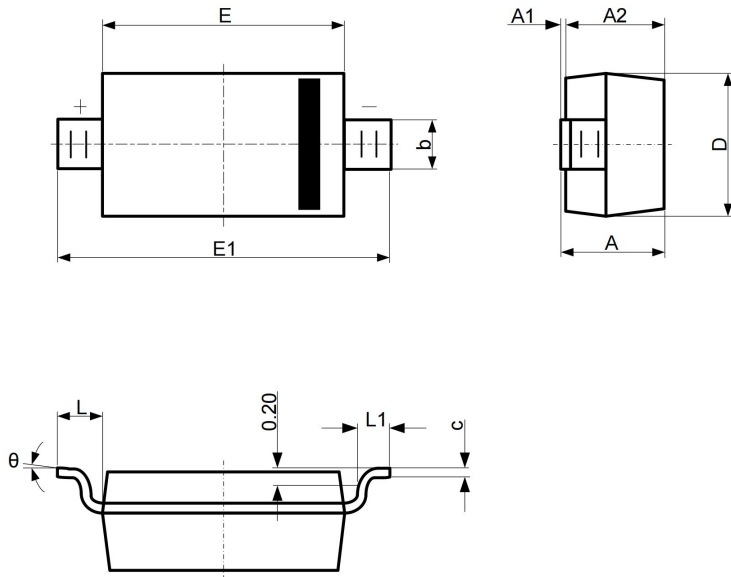
Marking instructions



Qty: 3k/Reel

Outline Drawing -SOD-123

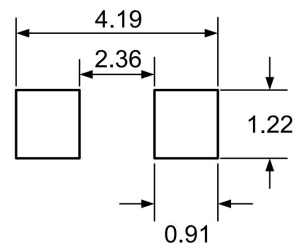
PACKAGE OUTLINE



SOD-123

DIMENSIONS

SYMBOL	MILLIMETER		INCHES	
	MIN	MAX	MIN	MAX
A	1.050	1.250	0.041	0.049
A1	0.000	0.100	0.000	0.004
A2	1.050	1.150	0.041	0.045
b	0.450	0.650	0.018	0.026
c	0.080	0.150	0.003	0.006
D	1.500	1.700	0.059	0.067
E	2.600	2.800	0.102	0.110
E1	3.550	3.850	0.140	0.152
L	0.500 REF		0.020 REF	
L1	0.250	0.450	0.010	0.018
θ	0°	8°	0°	8°



DIMENSIONS: MILLIMETERS

Notes

1. Controlling Dimensions in Millimeters.
2. Dimensions are exclusive of mold flash and metal burrs.