

Description

The SSL310B is Surface Mount Schottky Barrier Rectifiers, Reverse Voltage:100V,Forward Current: 3.0A ,SMB package.

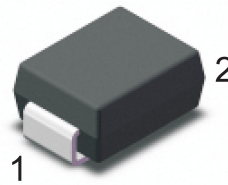
Features

- Low power loss
- High efficiency
- High forward surge current capability
- For surface mounted applications
- Halogen-free productt

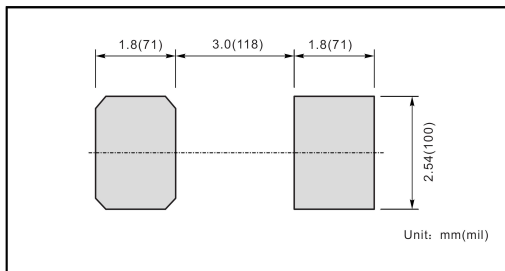
Applications

- General purpose.

Equivalent Circuit & Pinning



The recommended mounting pad size



PINNING

PIN	DESCRIPTION
1	Cathode
2	Anode

Marking

Type number	Marking
SSL310B	SL310B

Absolute Maximum Ratings(Ta=25°C)

Parameter	Symbol	Rating	Unit
Maximum Repetitive Peak Reverse Voltage	V_{RRM}	100	V
Maximum RMS voltage	V_{RMS}	70	V
Maximum DC Blocking Voltage	V_{DC}	100	V
Maximum Average Forward Rectified Current	$I_{F(AV)}$	3.0	A
Peak Forward Surge Current 8.3 ms Single Half Sine Wave Superimposed on Rated Load	I_{FSM}	80	A
Typical Junction Capacitance ⁽¹⁾	C_j	180	pF
Typical Thermal Resistance ⁽²⁾	$R_{\theta JA}$	70	°C/W
Operating Junction Temperature Range	T_j	-55~+150	°C
Storage Temperature Range	T_{stg}	-55~+150	°C

Note:

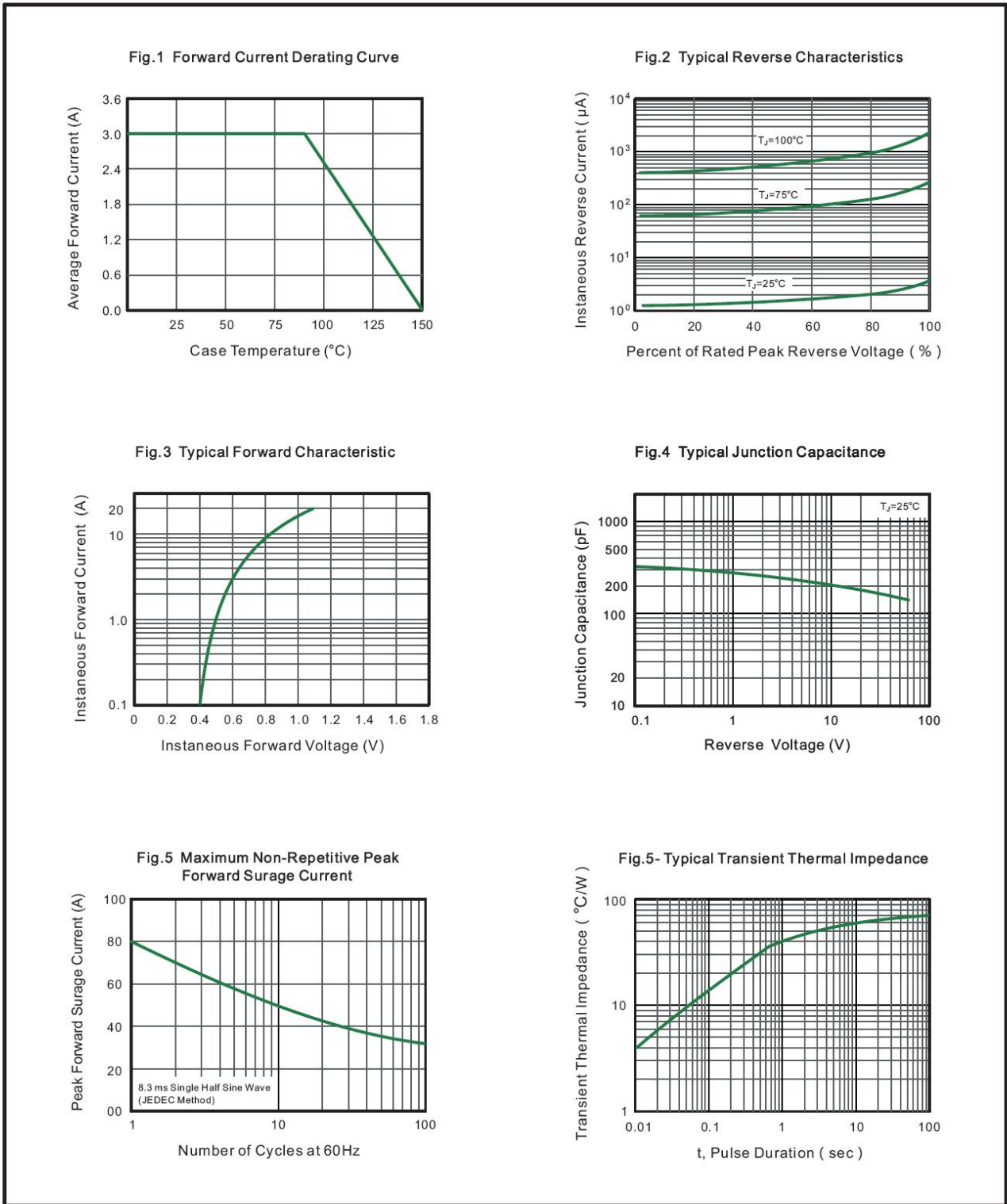
1) Measured at 1 MHz and applied reverse voltage of 4 V D.C

2) P.C.B. mounted with 2.0" X 2.0" (5 X 5 cm) copper pad areas.

Electrical Characteristics(Ta=25°C)

Parameter	Symbol	Test Conditions	Rating	Unit
Maximum Instantaneous Forward Voltage	V_F	$I_F=3.0A$	0.6	V
Maximum DC Reverse Current at Rated DC Blocking Voltage	I_R	$T_a=25^\circ C$	0.3	mA

Electrical Characteristic Curve



Marking instructions



Note:

SL310B : Product Type Code

**** : Lot No. Code, The 1st * means:YM Code, The last 3 * means:little Lot No Code

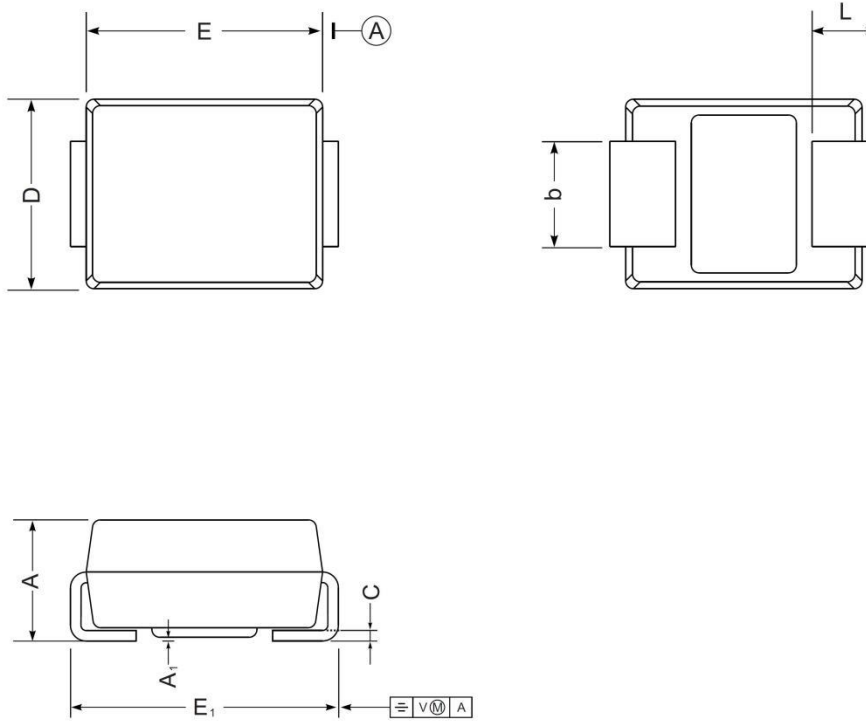
Packaging SPEC.

REEL

Package Type	Units					Dimension (unit: mm ³)		
	Units/Reel	Reels/Inner BoX	Units/Inner Box	Inner Boxes/Outer Box	Units/Outer Box	Reel	Inner Box	Outer Box
SMB	3000	5	15000	5	75000	7" ×11	185X180X105	390X385X205

Package Outline Dimensions

SMB



SMB mechanical data

UNIT		A	E	D	E_1	A_1	L	C	b
mm	max	2.44	4.70	3.94	5.59	0.20	1.5	0.305	2.2
	min	2.13	4.06	3.3	5.08	0.05	0.8	0.152	1.9
mil	max	96	185	155	220	7.9	59	12	87
	min	84	160	130	200	2.0	32	6	75